



TECHNICAL SPECIFICATIONS



MINIGOLF (18 Holes)

MINI GOLF 35

MATERIAL : Fiberglass

DESCRIPTIONS : Poliester, Fiber, Cobolt, UV Gelcoats and Color Pigments, OSB, Steel Construction, Talk etc.

PROPERTIES :

- portable & monoblock
- resistant adverse wheather conditions
- resistant to sunshine and rain
- have a rainwater evacuation system
- PP Synthetic grass on playground surface
- can be played by the handicapped
- green-orange colors is standart, other colors are optional
- all obstacle are assembled
- plastic pads for height adjustment

ACCESSORIES INCLUDED :

- 36 Golf Putters,
- 60 Golf Balls,
- 18 Flags,
- 2,000 Score Cards,
- 2 Golf Putters Stand.

WARRANTY : 2 years warranty against materials and workmanship defects.



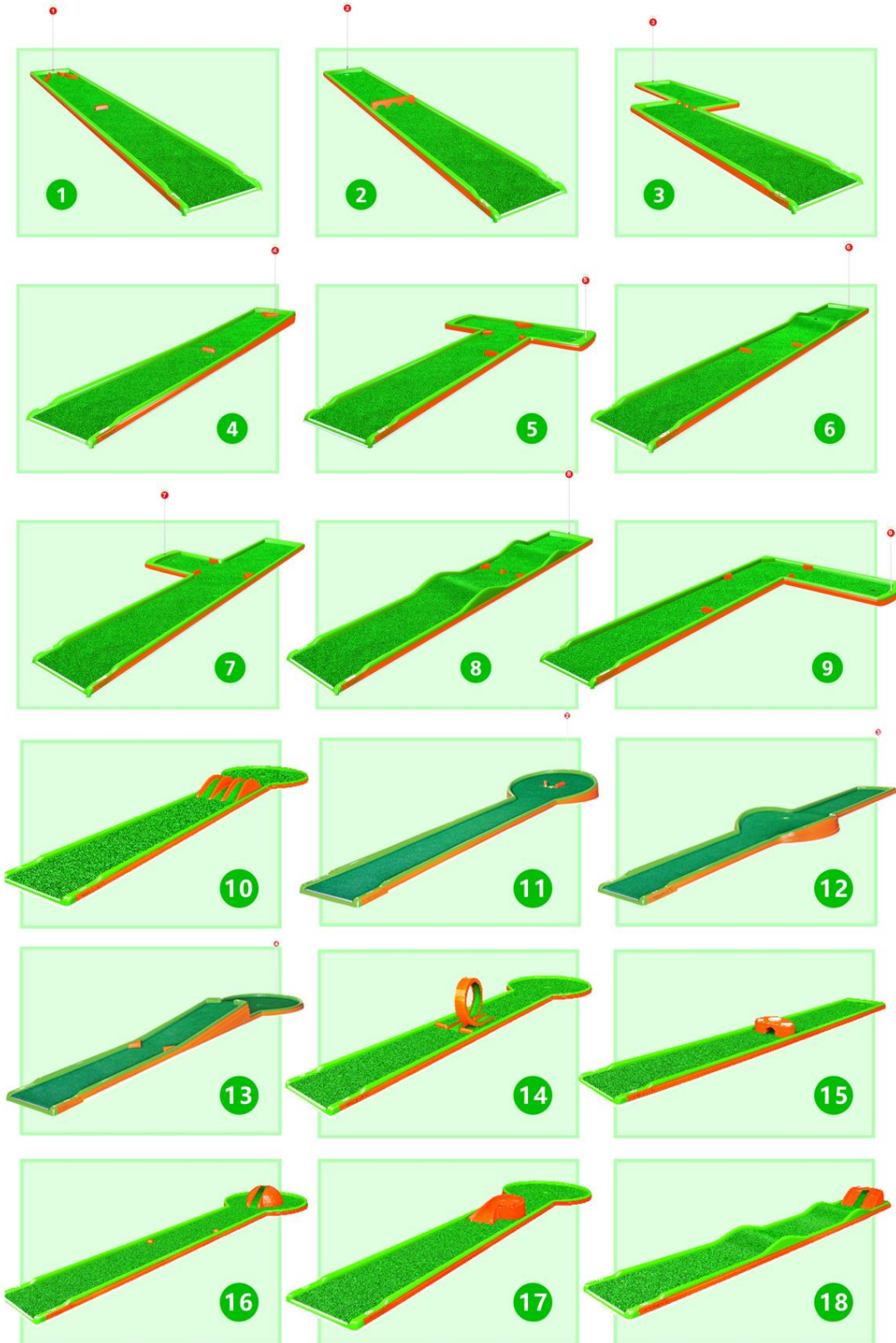
TECHNICAL SPECIFICATIONS



MINIGOLF (18 Holes)

MINI GOLF 35

PLAYGROUNDS:





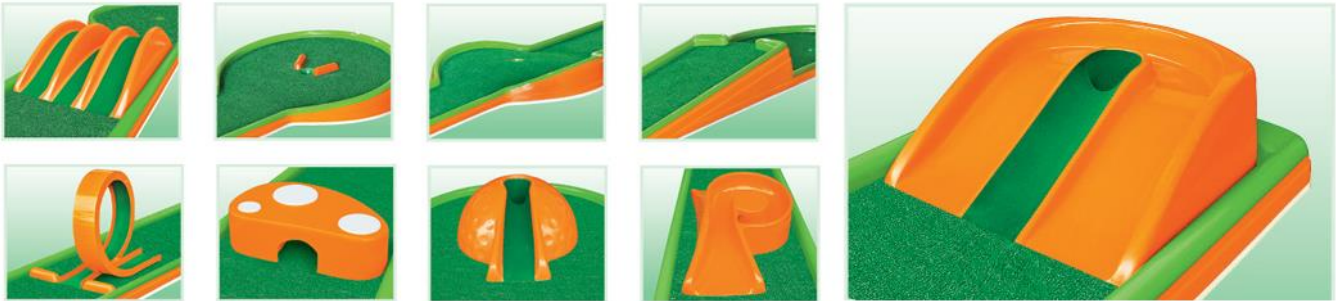
TECHNICAL SPECIFICATIONS



MINIGOLF (18 Holes)

MINI GOLF 35

OBSTACLES:



GOLF BALL STAND:

	<p>Golf Ball Stand</p> <p>Material : Linear-Polymers</p> <p>Properties : Encrypted, Locked. Suitable printing for advertising.</p> <p>Diameter : 100 cm. Height : 110 cm. Weight : 27,100 kg. Weight : 40 KG. (with putters, balls, score cards, etc.)</p>	
--	---	--



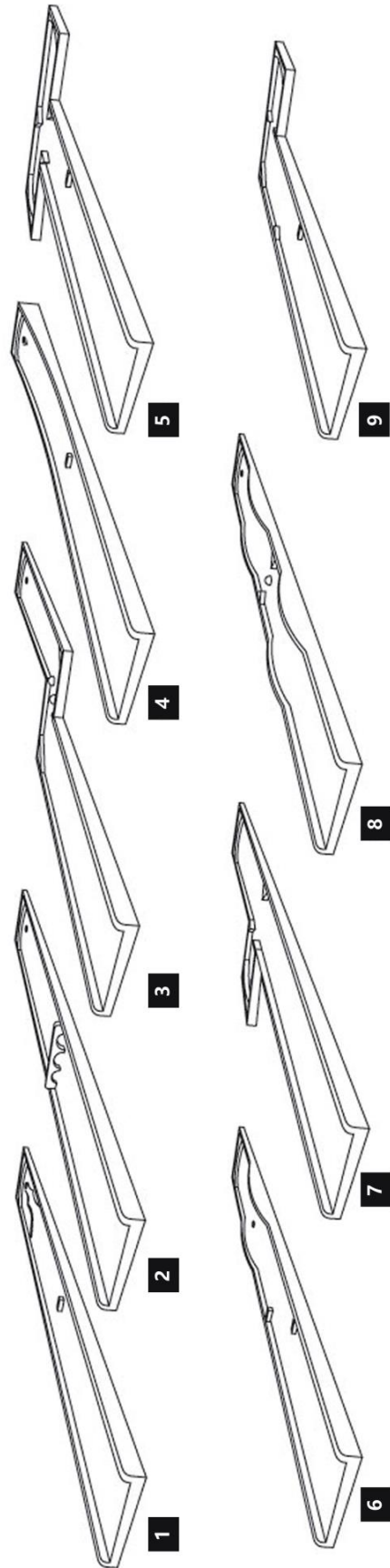
TECHNICAL SPECIFICATIONS



MINIGOLF (18 Holes)

MINI GOLF 35

1		80 kg h=14 cm
2		78 kg h=14 cm
3		86 kg h=14 cm
4		79 kg h=28 cm
5		78 kg h=14 cm
6		78 kg h=20 cm
7		79 kg h=14 cm
8		79 kg h=20 cm
9		78 kg h=14 cm





TECHNICAL SPECIFICATIONS



MINIGOLF (18 Holes)

MINI GOLF 35

10		80+2 kg. h= 14 cm.
11		98+2 kg. h= 34 cm.
12		90,300+2 kg h= 28 cm.
13		100+2 kg. h= 34 cm.
14		81+2 kg. h= 14 cm.
15		78+2 kg. h= 14 cm.
16		80+3 kg. h= 14 cm.
17		80+2 kg. h= 14 cm.
18		78+2 kg. h= 20 cm.

